

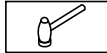
ASSEMBLY INSTRUCTION

Note:

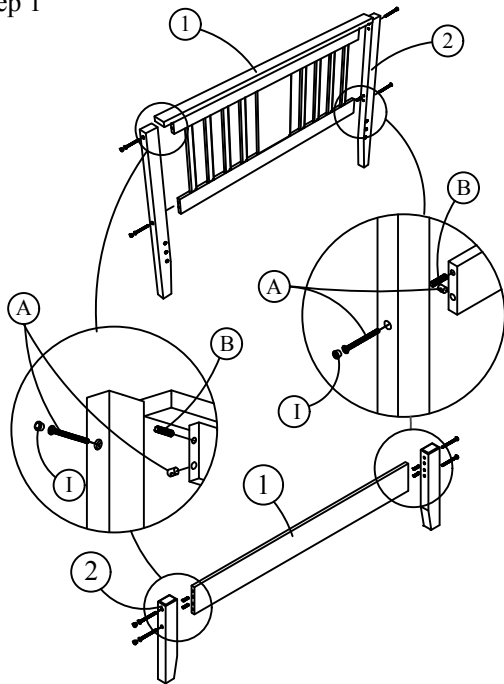
- Read instructions carefully.
- Carefully identify each component especially those that are similar.
- Separate and identify each component from the hardware pack and rest each one in its proper location before fastening.
- Do not over tighten the screws or bolts when assembling.



TOOL REQUIRED

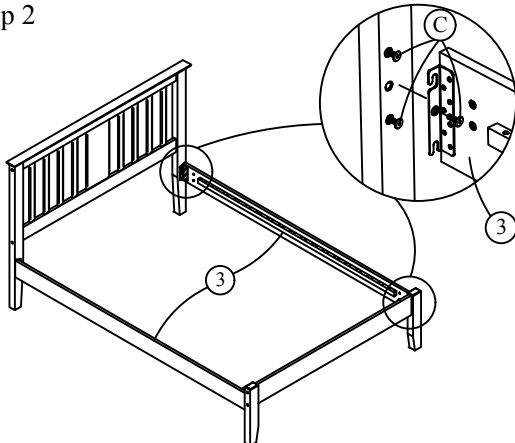


Step 1



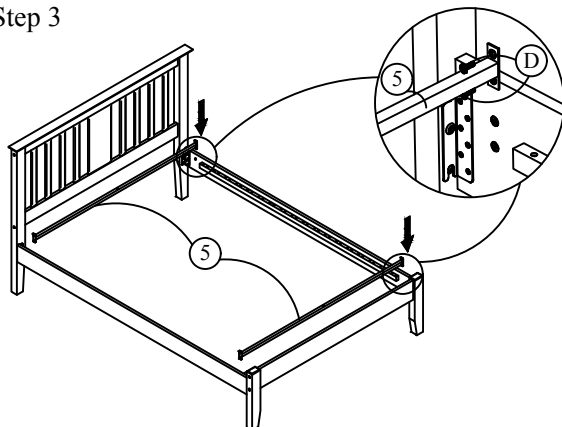
Assemble the bed frame headboard and footboard component as shown and tighten all bolt.

Step 2



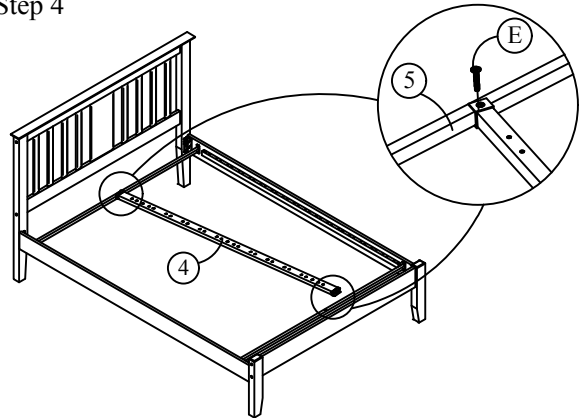
Hook the side rail to bolt as shown and don't tighten the bolt yet.

Step 3



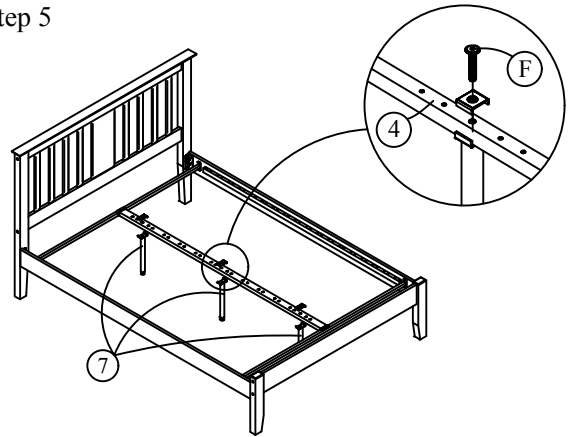
Put in cross bars and fix in bolt 'D' as shown in diagram and tighten all bolts.

Step 4



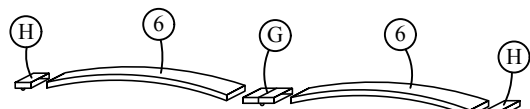
Fix center bar '4' to cross bar '5' by follow like diagram as shown.

Step 5

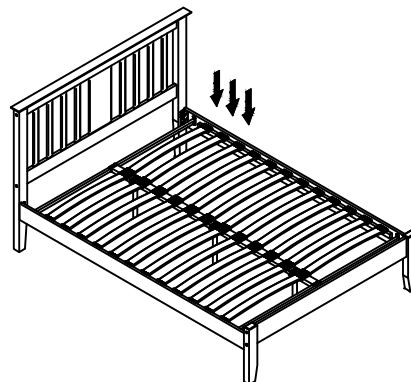


Fix in support leg with bolt '7' as shown.

Step 6



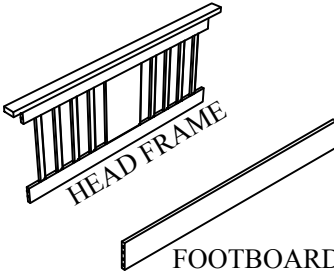

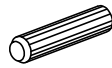

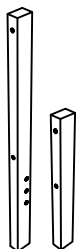


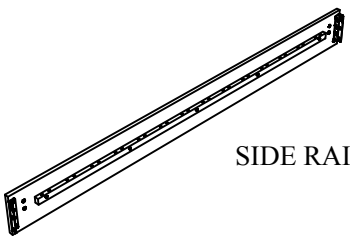


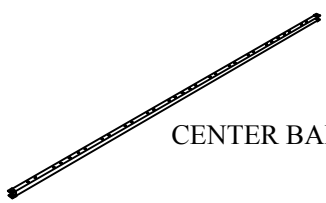


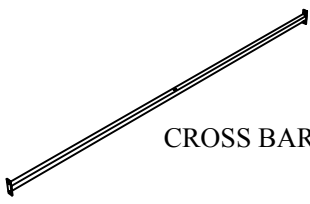



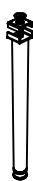
Each wood slat must be inserted with a single end plastic cap and a double end plastic cap as shown on the picture.



Once both wood slats have been inserted with the plastic caps, fix it on the wood side rails and center bar by pressing it accordingly to the default holes. Ensure the plastic cap's pin is aimed to the hole. At last make sure all screws and bolts are tighten.

Please follow our assembly instruction procedure for easier assemble.

HARDWARE & PART LIST

NO	PART	QTY	NO	HARDWARE	QTY
1	 <p>HEAD FRAME</p> <p>FOOTBOARD</p>	1 pc	A	 <p>M6x90mm c/w Barrel Nut</p>	8 pcs
		1 pc	B	 <p>Wood Dowel</p>	8 pcs
			C	 <p>M8x25mm</p>	12 pcs
2	 <p>HEAD POST - L/R</p> <p>FOOT POST - L/R</p>	2 pcs	D	 <p>M6x15mm</p>	8 pcs
		2 pcs	E	 <p>M6x30mm</p>	2 pcs
3	 <p>SIDE RAIL</p>	2 pcs	F	 <p>M8x40mm (assembled)</p>	3 pcs
			G	 <p>Double end plastic cap</p>	12 pcs
4	 <p>CENTER BAR</p>	1 pc	H	 <p>Single end plastic cap</p>	24 pcs
			I	 <p>Wood Button</p>	8 pcs
5	 <p>CROSS BAR</p>	2 pcs	J	 <p>M4- Allen key</p>	1 pc
			K	 <p>M5- Allen key</p>	1 pc
6	 <p>WOOD SLAT</p>	24 pcs			
7	 <p>SUPPORT LEG</p>	3 pcs			